

CUSTOM SHELTER SOLUTIONS

10' WIDE ROUND SHELTER SERIES

PEAK

ROUND

BARN

SQUARE
TUBE

TRUSS

8 WIDE

10 WIDE

12 WIDE

14 WIDE

16 WIDE

18 WIDE

20 WIDE

22 WIDE

24 WIDE

26 WIDE

28 WIDE

30 WIDE

35 WIDE

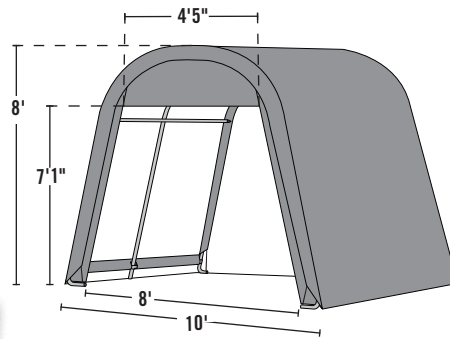
40 WIDE

45 WIDE

50 WIDE

60 WIDE

72 WIDE



DOOR OPENING DIMENSIONS

All-steel DuPont™ thermoset baked on powder-coated finish resists rust and corrosion.

Our patent-pending **ShelterLock™ Stabilizer Block** at every rib connection adds *rock-solid strength and stability to frame*.

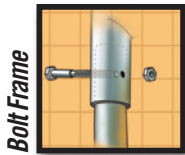
Bolt-together hardware at every connection point ensures maximum strength and durability.

Our **Ratchet Tite™ Tension System** and **Easy-Glide Sliding Cross Rails** keep the cover smooth and taught.

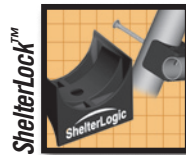
Advanced engineered, commercial grade **polyethylene woven fabric** is UV treated inside and out to stand up to the elements. Ultra heavy-duty PVC cover also available.

Universal steel foot plates for easy and solid connection to ground anchors, cement or pony walls.

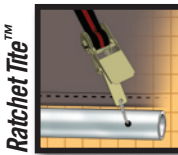
SHELTER FEATURES



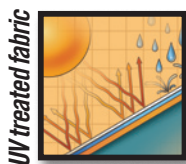
Bolt Frame



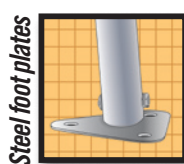
ShelterLock™



Ratchet Tite™



UV treated fabric



Steel foot plates

FRAME SIZE OPTIONS AND SPECS

Standard Size	10' W x 8' L x 8' H
----------------------	---------------------

Custom lengths available in 4' increments to any length.

1-5/8" All steel frame

15" Auger anchors

(2) Double zippered door panels

Additional anchors sold separately

COVER OPTIONS †

- **PE standard:** 9 oz. Gray, Green, Tan, White, Translucent
- * **PE heavy-duty:** 14.5 oz. Gray, Green, Tan, White
- * **Ultra PVC (Polyvinyl Chloride):** 21.5 oz. Hunter Green only

COLOR WEIGHT						
	Gray	Green	Hunter Green	Tan	White	Translucent

† All fabric weight calculations are in oz. per m².

• Polyethylene

* Fire rated FR fabric CPAI 84 Section 6 compliant.

WARRANTY INFO

	Cover	Back panel/door	Frame
Standard	1 year	1 year	1 year
Heavy Duty	10 years	3 years	3 years
PVC	10 years	3 years	3 years