

ShadeLogic™ Quick Clamp Canopy™ 10 ft. / 3m



10 ft. Table Top Pop-Up Canopy

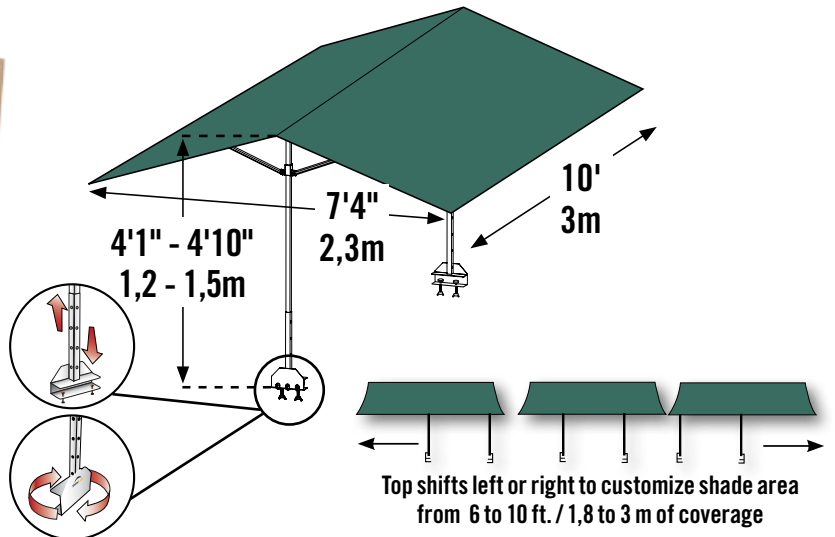
- Fits tables up to 10 ft. / 3 m long.
- Innovative patent pending pop-up frame design.
- Omni-directional clamp mounting system for easy attachment to many surfaces.
- UV treated, mildew-resistant, water-repellent, green polyester fabric cover.
- Provides more than 75 sq. ft. / 7 sq. m. of coverage from sun and light rain.
- High impact injection-molded connectors.
- Super strong hook-and-loop cover attachment. Shock cord side frame poles go up in seconds.
- Easy set-up and take-down in minutes.



Great For:
picnics, camping,
craft fairs,
backyard deck
or patio, sporting
events and much
more.

**Four-position
vertical adjustment to a
max of 9" / 22,9 cm**

**360° rotatable
clamp base**



We've Got You Covered.™
North America's #1 Shelter Manufacturer.

Model #14550

Package Includes:

- (3) Cross Rails
- (2) Pop-Up Frame Assemblies
- (1) Green Polyester Cover
- (2) Clamp Mounts
- (1) Carrying Bag
- Instructions

Packaging Specifications:

- Full color wrap label package.
- Container qty: 1650
- Total weight: 27 lbs. / 12,1 kg
- Box dimensions:
48 x 10.2 x 5.1 in.
122 x 26 x 13 cm

